

DATASHEET

# WIRELESS MEASUREMENT ELECTRONICS

WE-Series

4 channel wireless sensor electronics and software



[leaptechnology.com](http://leaptechnology.com)

# **I CONTENTS**

---

Product description	.....	3
Features and options	.....	4
Specifications	.....	4
Product dimensions	.....	5
Electrical connections	.....	5
Mechanical connection	.....	6
Contact	.....	7

# **| WE – 4 channel wireless sensor electronics and software**

---

## PRODUCT DESCRIPTION

To get up and running quickly with measuring stretch sensors and strain gauges, LEAP have created a battery powered sensor measurement box and software for reading and recording data.

The device can communicate the sensor signals to the host Windows PC via cable or Bluetooth.

It is specifically designed to measure sensors from LEAP but can also measure other 3<sup>rd</sup> part capacitors.

The device is supplied with software which acts as a data acquisition system for sensor signals. It also has simple calibration functionality and a direct visualisation of the sensor signals for convenience.

## USAGE EXAMPLES

- Evaluation of technology
- Portable instrumentation
- Prototyping and proof of concept

# FEATURES

---

- Uses simple Micro USB for sensor and power connections
- Choice of update frequency
- Rolling average filter
- Battery for up to 8 hours continuous streaming of data
- Bluetooth connection
- Upgrade to 8 channels available upon request
- Full API available – make your own control software
- Custom developed sensor hardware can be provided to specification, allowing for significant reductions in size. All mechanical features can also be customised.

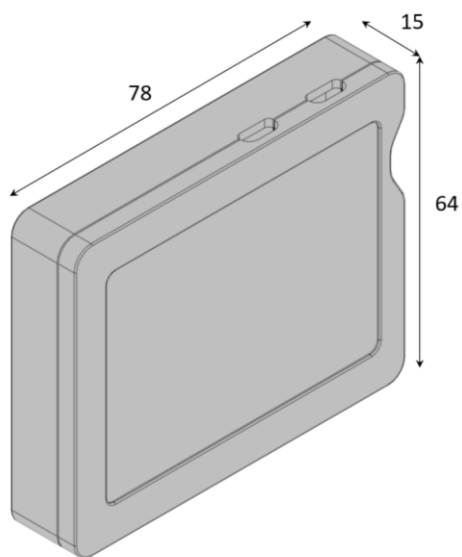
# SPECIFICATIONS

---

Power supply	5V
Communication platform	Bluetooth 4.0 and Serial over USB
Measurement range	0.1 to 5nF
Output signal update rate	0.1 to 800Hz
Averaging filter range	4-256
Resolution	1pF
Maximum sensor series resistance	100kOhm
Operating temperature range	10-60C
Protection rating	Equivalent to IP40
Weight (not including cables)	85g

# PRODUCT DIMENSIONS

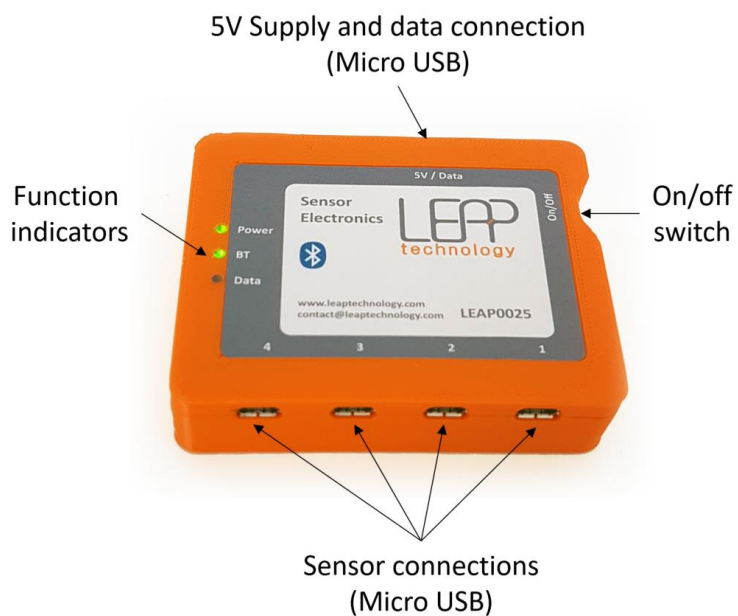
---



All dimensions in mm and nominal

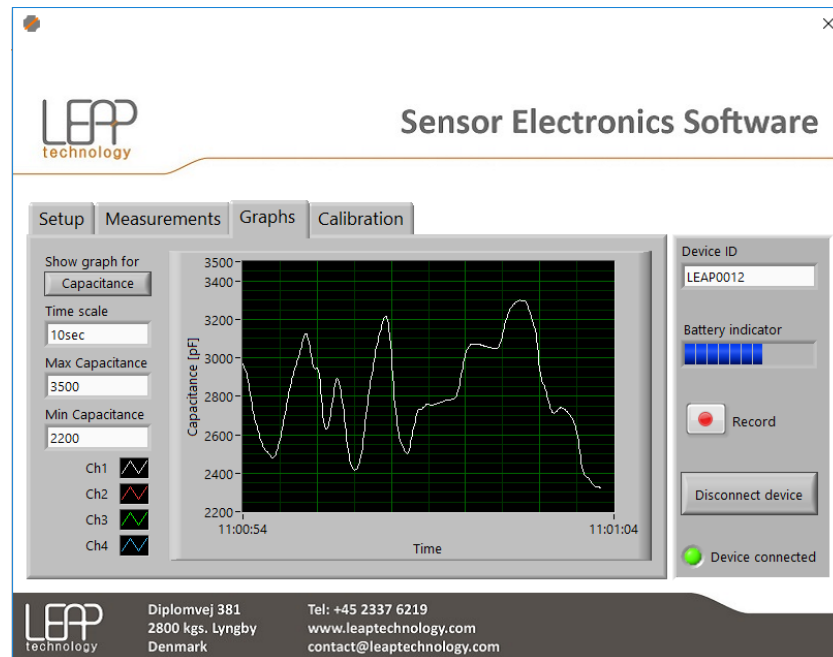
# ELECTRICAL CONNECTIONS

---



# USER INTERFACE

The software supplied with the electronics is suitable for Windows. It presents the data on screen as a graph as well as displaying capacitance values. It can also be calibrated to display and save the data in units of your choice.



# CONTACT US

---

leaptechnology.com

Bjerndrup Bygade 23, 6200 Aabenraa, Denmark

Phone: +45 21 78 22 31

E-mail: [contact@leaptechnology.com](mailto:contact@leaptechnology.com)

## *Terms of Use:*

*LEAP Technology accepts no responsibility for possible errors caused by inaccuracies in catalogues, brochures, and other material. Due to our policy of continuous product improvement, specifications may change without notice. Modifications may affect any specification of our products. LEAP Technology cannot guarantee product availability and reserves the right to discontinue the product. The user is responsible for determining the suitability of LEAP Technology products for a specific application, for which LEAP Technology offer guidance. All sales are subject to the 'Standard Terms of Sale and Delivery', available on the LEAP Technology website.*